

GETTING STARTED GUIDE

NI Digital Waveform Generator/Analyzer

For NI PXI/PCI-655X/654X Devices

This document explains how to install, configure, test, and set up a National Instruments digital waveform generator/analyzer. This document applies specifically to the NI PXI/PCI-6551/6552 (NI 655X) and the NI PXI/PCI-6541/6542 (NI 654X). For more information on the NI 655X/654X, such as features and programming, refer to the *NI Digital Waveform Generator/Analyzer Help* at **Start»Programs»National Instruments»NI-HSDIO»Documentation»NI Digital Waveform Generator/Analyzer Help**.

Refer to the specifications document that ships with your device for detailed specifications.

For free downloads of the most current versions of product documentation and example programs, visit ni.com/instruments.

Contents

Conventions	2
1. Verifying the System Components	4
Minimum System Requirements	4
Recommended System.....	4
2. Unpacking	5
3. Verifying the Kit Contents.....	6
Documentation.....	6
EMI Gasket (NI PXI-655X Only).....	6
4. Installing the Software	6
Choose and Install Your ADE	6
Install NI-HSDIO.....	7
NI Script Editor.....	7
(Optional) Install the NI Digital Waveform Editor	7



This icon denotes a caution, which advises you of precautions to take to avoid injury, data loss, or a system crash. When this symbol is marked on the product, refer to the *Read Me First: Safety and Radio-Frequency Interference* document that shipped with your device for precautions to take.

bold

Bold text denotes items that you must select or click in the software, such as menu items and dialog box options. Bold text also denotes parameter names.

CompactPCI

CompactPCI refers to the core specification defined by the PCI Industrial Computer Manufacturers Group (PICMG).

italic

Italic text denotes variables, emphasis, or a cross reference. This font also denotes text that is a placeholder for a word or value that you must supply.

monospace

Text in this font denotes text or characters that you should enter from the keyboard, sections of code, programming examples, and syntax examples. This font is also used for the proper names of disk drives, paths, directories, programs, subprograms, subroutines, device names, functions, operations, variables, filenames, and extensions.

monospace bold

Bold text in this font denotes the messages and responses that the computer automatically prints to the screen. This font also emphasizes lines of code that are different from the other examples.

monospace italic

Italic text in this font denotes text that is a placeholder for a word or value that you must supply.

PCI

Peripheral Component Interconnect (PCI) is a high-performance expansion bus architecture originally developed by Intel to replace ISA and EISA.

PXI

PCI eXtensions for Instrumentation (PXI) is a rugged, open system for modular instrumentation based on CompactPCI, with special mechanical, electrical, and software features.

1. Verifying the System Components

This section specifies the minimum system requirements and recommended system for NI-HSDIO and your digital waveform generator/analyzer.

Minimum System Requirements

The minimum system requirements include the following components and tools:

- Pentium 200 MHz or equivalent processor
- 64 MB RAM
- A PXI chassis and controller or desktop computer
- 1/8 in. flathead screwdriver
- Number 1 Phillips screwdriver
- Microsoft Internet Explorer 5.5 or later
- Measurement & Automation Explorer (MAX) 3.1 or later
- A screen resolution of 800 × 600 with 256 colors (required for the NI Script Editor)
- NI SHC68-C68-D2 cable, available from NI (part number 188142-01)
- NI EMC Filler Panel Kit, available from NI (part number 778700-01)



Note Do not use cables other than the NI SHC68-C68-D2 cable with the NI 655X/654X.

Recommended System

The recommended system requirements include the following components and tools:

- Pentium III/Celeron 600 MHz or equivalent processor
- 256 MB RAM
- A PXI chassis and controller or desktop computer
- 1/8 in. flathead screwdriver
- Number 1 Phillips screwdriver
- Microsoft Internet Explorer 5.5 or later
- A screen resolution of 800 × 600 with 256 colors (required for the NI Script Editor)
- NI SHC68-C68-D2 cable, available from NI



Note Do not use cables other than the NI SHC68-C68-D2 cable with the NI 655X/654X.

- One of the following digital waveform generator/analyzer accessories:
 - NI CB-2162 single-ended digital I/O accessory
 - NI SMB-2163 breakout box accessory
- National Instruments SMB cables, available in various styles from ni.com
- Windows 2000/NT 4.0 Service Pack 6a/XP
- One of the following application development environments (ADEs):
 - LabVIEW 7.0 or later (LabVIEW 7.1 or later is required to use the NI-HSDIO Express VIs)
 - LabVIEW Real-Time Module 7.1
 - LabWindows™/CVI™ 6.0 or later
 - Microsoft Visual C++ (MSVC) 6.0 or later



Tip When creating your application, consider using other modular instruments from the Mixed-Signal Platform, including the NI PXI-2593 and SCXI-1193 switches, the NI 5404 clock and frequency generator, NI 5421 signal generator, NI 5122 high-speed digitizer, NI 4070 digital multimeter, and the NI 6653 Slot 2 controller.

2. Unpacking

The NI 655X/654X ships in an antistatic package to prevent electrostatic discharge (ESD). ESD can damage several components on the device.



Caution *Never* touch the exposed pins of connectors.

To avoid ESD damage in handling the device, take the following precautions:

- Ground yourself with a grounding strap or by touching a grounded object.
- Touch the antistatic package to a metal part of your computer chassis before removing the device from the package.

Remove the device from the package and inspect it for loose components or any other signs of damage. Notify NI if the device appears damaged in any way. Do *not* install a damaged device in your computer or chassis.

Store the device in the antistatic package when the device is not in use.

3. Verifying the Kit Contents

Verify that the kit contains the following items:

- DVD-sized case, which contains the following items:
 - NI-HSDIO (High-Speed Digital I/O) instrument driver software CD, which includes the *NI Digital Waveform Generator/Analyzer Help*
 - *NI Digital Waveform Generator/Analyzer Getting Started Guide*
- NI digital waveform generator/analyzer
- Mounting screw (PCI device only)
- Other documentation included with the digital waveform generator/analyzer and driver software. Refer to the *Documentation* section for a list of the documentation you may have.

Documentation

The NI digital waveform generator/analyzer kit may also include the following documents:

- NI digital waveform generator/analyzer specifications—This printed document provides specifications for your device.
- *Read Me First: Safety and Radio-Frequency Interference*
- *Maintain Forced-Air Cooling Note to Users*
- *Retrofitting Your PXI Module Note to Users*

EMI Gasket (NI PXI-655X Only)

The NI digital waveform generator/analyzer kit may also include an EMI gasket and documentation that describes under what conditions you should install the gasket. Refer to step [5. Installing the Hardware](#) for information about when you should install the gasket.

4. Installing the Software

This section describes the software installation process for the NI digital waveform generator/analyzer.

Choose and Install Your ADE

You can create applications for your digital waveform generator/analyzer using LabVIEW 7.0 or later, LabWindows/CVI 6.0 or later, or Microsoft Visual C++ 5.0 or later.

LabVIEW features interactive graphics, a state-of-the-art interface, and a powerful graphical programming language. LabWindows/CVI is a complete ANSI C ADE that features an interactive user interface, code generation tools, and the LabWindows/CVI Data Acquisition and Easy I/O libraries. Using LabVIEW or LabWindows/CVI can greatly reduce your application development time.

If you have not already installed the ADE, follow the instructions in the product documentation to install your ADE now.

Install NI-HSDIO

NI-HSDIO features a set of operations and attributes that allow you to programmatically configure and control the digital waveform generator/analyzer. To install NI-HSDIO, complete the following steps:

1. Insert the NI-HSDIO CD. The NI-HSDIO installer should open automatically. If not, select **Start»Run**, and enter `x:\setup.exe`, where *x* is the letter of the CD drive.
2. Follow the instructions in the installation prompts. For troubleshooting and operating system-specific instructions, refer to the Hardware Installation Wizard at ni.com/support/install.
3. When the installer completes, a dialog box appears that asks if you want to restart, shut down, or exit. Select **Restart**.
4. If you are using a system running the LabVIEW Real-Time Module, download NI-HSDIO to the target using MAX. Refer to the *Measurement & Automation Explorer Remote Systems Help* by selecting **Help»Help Topics»Remote Systems** in MAX.

NI Script Editor

The NI Script Editor is included on the NI-HSDIO CD and is installed when you install the driver. The NI Script Editor provides an intuitive interface to help you develop linking and looping pattern generation operations. *NI Script Editor Help* contains more information about the NI Script Editor. You can access *NI Script Editor Help* by launching the NI Script Editor and selecting **Help»NI Script Editor Help** from the toolbar.

(Optional) Install the NI Digital Waveform Editor

The NI Digital Waveform Editor (DWE) is included with the higher-memory versions of the NI 655X/654X and also can be purchased separately at ni.com. The NI DWE allows you to easily import data from popular third-party EDA programs, create your own waveforms, edit these waveforms, and view acquired waveforms.

If you are using the NI DWE, install it after you install NI-HSDIO.

5. Installing the Hardware

To install your NI digital waveform generator/analyzer, follow the instructions in the section that describes your hardware platform.

When installing your hardware, follow the instructions in this section to ensure that your device can cool itself effectively. If the device temperature rises above the optimal operating temperature range, the device disables itself, and MAX or NI-HSDIO notifies you with an error message.

To re-enable your device after a thermal shutdown, you must perform a hard reset, in which the device integrated circuits (ICs) are reloaded. You can perform this type of reset either using the niHSDIO Reset Device VI (`niHSDIO_ResetDevice`) or by performing a device reset in MAX. The thermal shutdown error is reported until the device is reset. For more information on performing a device reset in MAX, refer to step 6. *Configuring and Testing in MAX*.

Installing a PXI Module

To install the module, refer to Figure 1 and complete the following steps:

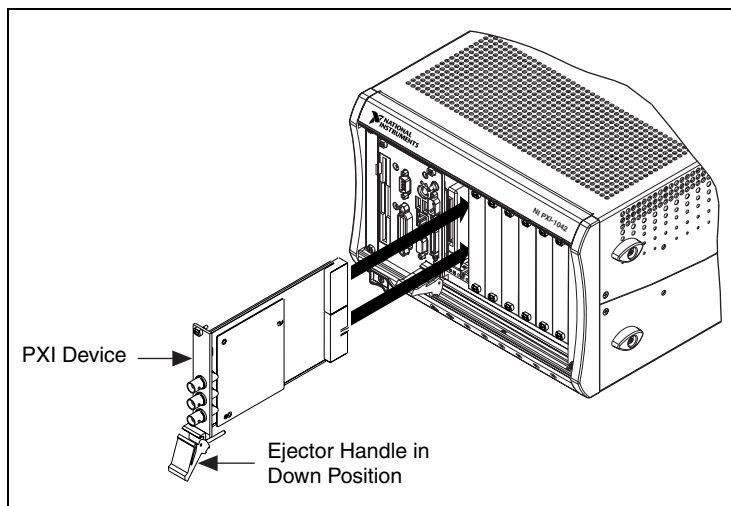


Figure 1. PXI Installation

1. Power down the chassis before installing the module.
2. If the chassis has multiple fan speed settings, ensure that the fans are set to the highest setting. Do not set the fan speed to low or turn the fan off.

3. Position the chassis so that you allow plenty of space between the chassis fan intake and exhaust vents. Blocking the fans affects the air flow needed for cooling. For more information, refer to the chassis documentation.
4. If you need to use an EMI gasket to reduce high-frequency emissions, install it now. Refer to the *Retrofitting Your PXI Module Note to Users* for more information about installing the gasket.
5. Remove the packaging material on the PXI connector and on the screws.
6. Ensure that the ejector handle is in the unlatched (downward) position, as shown in Figure 1.
7. Holding the module by the ejector handle, slide it into an empty slot, ensuring that the base card (on the left when looking at the front of the module) engages with the card guides in the chassis.
8. Slide the module completely into the chassis and latch by pulling up on the ejector handle.
9. Tighten the captive screws at the top and bottom of the module front panel.
10. Before operating the module, install all chassis covers and filler panels. Missing filler panels disrupt the necessary air circulation in the chassis.



Note NI recommends that you install slot blockers between modules to maximize air flow. NI recommends using the PXI Chassis Slot Blocker Kit, part number 778678-01, available for purchase at ni.com.

NI PXI modules are sensitive instruments that should be handled carefully. Do not expose the module to temperatures or humidity beyond the rated maximums. Keep the module free of dust by cleaning with compressed air only. Do not clean the module with any solvents or liquids. For more information about module cooling, refer to the guidelines in the *Maintain Forced-Air Cooling Note to Users* included with your NI digital waveform generator/analyzer.

Installing a PXI Module in a CompactPCI Chassis

The procedure for installing the module in a CompactPCI chassis is the same as the procedure for installing the module in a PXI chassis, with the following additional considerations:

- The CompactPCI specifications (available from www.picmg.org) permit vendors to develop sub-buses that coexist with the basic PCI interface on the CompactPCI bus. Compatible operation of NI PXI modules is not guaranteed between CompactPCI devices with different sub-buses nor between CompactPCI devices with sub-buses from

different vendors and PXI. The standard implementation for CompactPCI does not include these sub-buses.

- The module works in any standard CompactPCI chassis adhering to the *PICMG CompactPCI 2.0 R2.1* document.
- When you use the NI 655X/654X as a plug-in device in a standard CompactPCI chassis, you cannot access PXI-specific functions. PXI-specific features are implemented on the J2 connector of the CompactPCI bus. The following table lists the J2 pins used by the NI 655X/654X. This module is compatible with any CompactPCI chassis with a sub-bus that does not drive these lines. Even if the sub-bus is capable of driving these lines, the module is still compatible as long as those pins on the sub-bus are disabled by default and never enabled.

Table 1. J2 Pins Used by the NI 655X/654X

PXI Pin	Description	PXI J2 Pin Number
PXI_TRIG<0..7>	PXI trigger lines <0..7>—the eight PXI trigger bus lines are highly flexible and can be used in a variety of ways; for example, triggers can synchronize several PXI peripheral modules	B16, A16, A17, A18, B18, C18, E16, E18
PXI_STAR	PXI star trigger line—the PXI star trigger bus implements a dedicated trigger line between the first peripheral slot (adjacent to the system controller slot) and the other peripheral slots	D17
PXI_CLK10	PXI Clock 10 line—10 MHz PXI system clock distributed along the PXI backplane	E17

Maintaining PXI Systems

Clean the fan filters on the chassis regularly to prevent air circulation path blockage. Cleaning frequency depends on the amount of use and the operating environment. For specific information about cleaning procedures, and other recommended maintenance, refer to the module specifications and the chassis user documentation.

Uninstalling PXI Modules

When removing PXI modules from the chassis, first power down the chassis. Then ensure that you are grounded with a grounding strap or are touching a grounded metal surface. To avoid ESD, do not touch the exposed pins of the PXI connector or any exposed circuitry on the module. When not in use, PXI modules should be stored in the original antistatic packaging to avoid damage.



Caution During operation the metal surfaces of PXI modules may become hot. Be careful when removing the module from the chassis or when moving it to a different peripheral slot. When removing the module, hold it by the ejector handle and front panel *only*.

Installing a PCI Device

To install your PCI device, complete the following steps:

1. Power off and unplug the PC.
2. If the PC has multiple fan speed settings, ensure that the fans are set to the highest setting.
3. Remove the PC cover.
4. Insert the device into an open PCI slot, as shown in Figure 2.
NI recommends either leaving the slot adjacent to the fan side of the device empty or using lower-profile devices in the slot adjacent to the fan side.
5. Secure the device with the screw provided in the kit.



Caution It is important to completely screw the device into the PCI slot, both for mechanical stability and for creating a solid ground connection, which reduces signal noise. Some computer manufacturers use a plastic securing lever to secure PCI devices; such a lever is unacceptable and *must* be removed, or you must use a different chassis. Improperly secured devices may affect the accuracy of device specifications.

6. Before operating the device, install all filler panels. Missing filler panels disrupt the necessary air circulation in the PC.
7. Replace the PC cover.
8. Plug in and power on the PC.

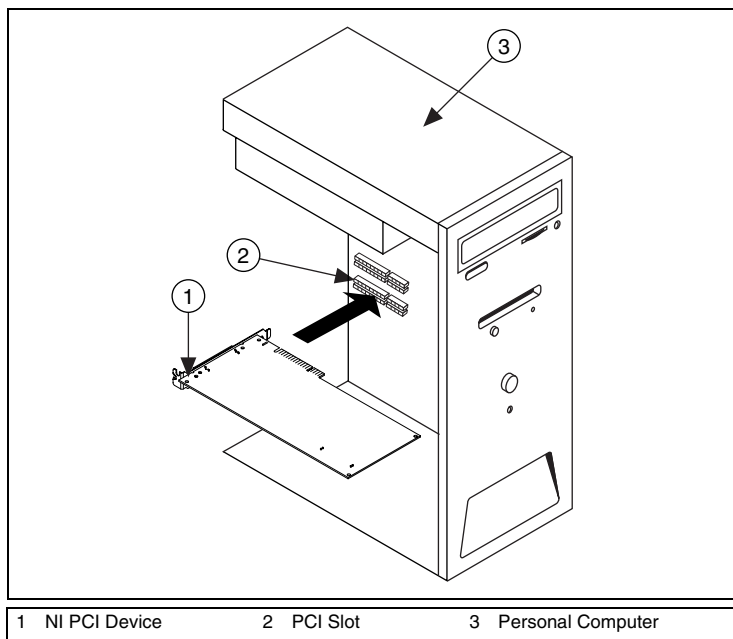


Figure 2. PCI Installation

Maintaining PCI Systems

Inspect the onboard fan on a regular basis to prevent fan and air circulation path blockage. Cleaning frequency depends on the amount of use and the operating environment.

6. Configuring and Testing in MAX

To configure and test the NI digital waveform generator/analyzer in MAX, complete the following steps:

1. Launch MAX to configure and test the digital waveform generator/analyzer. MAX should automatically detect the device you installed.
2. Expand **Devices and Interfaces**.
If you are using an NI digital waveform generator/analyzer with the LabVIEW Real-Time Module, expand **Remote Systems**. Find your target IP address or name, expand it, and then expand **Devices and Interfaces**.
3. Expand **NI-DAQmx Devices**.

4. Check that your device appears under NI-DAQmx Devices.



Note If your device does not appear under NI-DAQmx Devices, MAX did not detect the device, so you might need to refresh MAX by selecting **File>Refresh** from the MAX menu or pressing <F5>.

5. You can perform a self-test on devices listed under NI-DAQmx Devices. The self-test ensures that the device is installed correctly and can communicate with NI-HSDIO. To perform a self-test, complete the following steps:
 - a. Right-click the device you want to test and select **Self-Test**, shown in Figure 3.

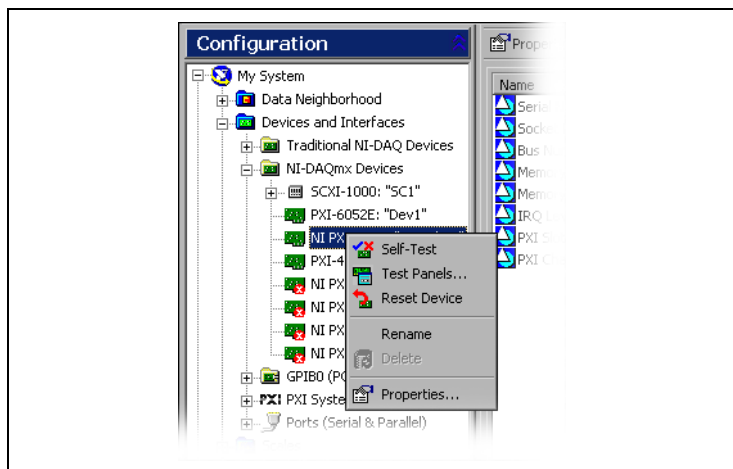


Figure 3. Configuration Tree Shortcut Menu

- b. When the self-test finishes, a message window appears to indicate if an error occurred. If an error occurred, refer to ni.com/support for troubleshooting information.



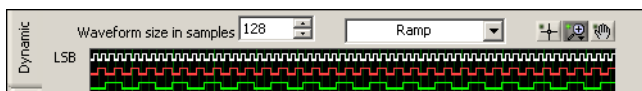
Tip If you need to reset the device with a hard reset, you can do so by right-clicking the device and selecting **Reset Device** from the shortcut menu shown in Figure 3.

6. Record the device name assigned to the digital device. You need this information when you program the device.

Using the Test Panel to Generate and Acquire Data

To verify your device configuration, use the device test panel in MAX to generate and acquire simple digital data using your device by completing the following steps:

1. Right-click the device under NI-DAQmx Devices, and select **Test Panels** as shown in Figure 3.
2. Click the **Generation** tab.
3. Select the **Dynamic** tab on the side of the pane.
4. Click **Select All** to select all of your channels. The digital pattern now appears in the graph.
5. Enter the frequency in the **Clock Frequency** control, located on the left side of the test panel.
6. Enter values for the generation and acquisition voltages in the controls below the Clock Frequency control. You can choose from standard logic families or enter High and Low values to create your own custom levels.
7. Choose a fill pattern. The following figure shows the pattern control and the first few signals in the window.



Tip When generating a Marching Ones or Marching Zeroes waveform, it is convenient to make the waveform size a multiple of the number of selected channels.

8. Click **Play** to generate the pattern shown in the graph on the selected channels. The default generation option is Continuous, but you can toggle this setting using the control below the graph.

The Play and Stop buttons are shown in the following figure.



Because the data channels on the NI 655X/654X are bidirectional, while the data is being continuously generated on all of the channels, as in the previous step, you can acquire the data being generated.



Note Refer to the specifications for your device for information on the setup and hold times and propagation delays associated with generation and acquisition operations. At some frequencies, generating and acquiring data on the same channels when no cable is attached to the DIGITAL DATA & CONTROL (DDC) connector

violates these timing parameters and results in incorrectly sampled data. For information on proper signal acquisition, refer to the *NI Digital Waveform Generator/Analyzer Help*.

To acquire the pattern, complete the following steps:

1. Click the **Acquisition** tab.
2. Click **Play**. The device acquires the digital data that you generated in the previous steps, and the data is displayed on the graph.
3. Click **Close** when you are finished.

7. Connecting Signals

This section discusses what connections you can make to the device, and how to connect signals to the device for performing dynamic acquisition and dynamic generation. For device front panel diagrams and connector descriptions, refer to [Appendix A: Device Front Panels](#).

Connecting Cables and Accessories

To make connections to the NI 655X/654X front panel SMB jacks, use a shielded 50 Ω coaxial cable with an SMB plug end.

Use an NI SHC68-C68-D2 cable for connections to the NI 655X/654X DDC connector. The NI SHC68-C68-D2 is designed for single-ended, high-speed digital signal transmission. The cable is shielded, with individual microcoaxial 50 Ω lines for each signal.

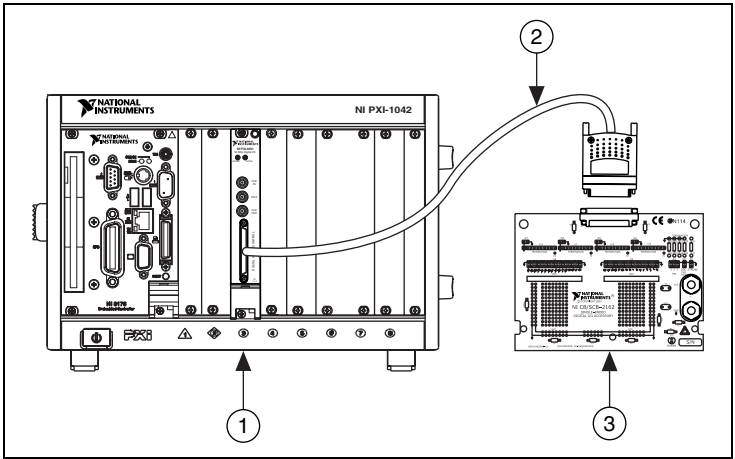


Note Do not use cables other than the NI SHC68-C68-D2 cable with your NI 655X/654X.

NI recommends using the NI CB-2162 single-ended digital I/O accessory to access the signals on the 68-pin DDC connector and to terminate the DIO channels. The NI CB-2162 also provides a platform for circuit prototyping and DUT testing. The NI CB-2162 is specifically designed for use with NI digital waveform generator/analyzers. For more information about using the NI CB-2162, refer to the *NI CB-2162 User Guide*.

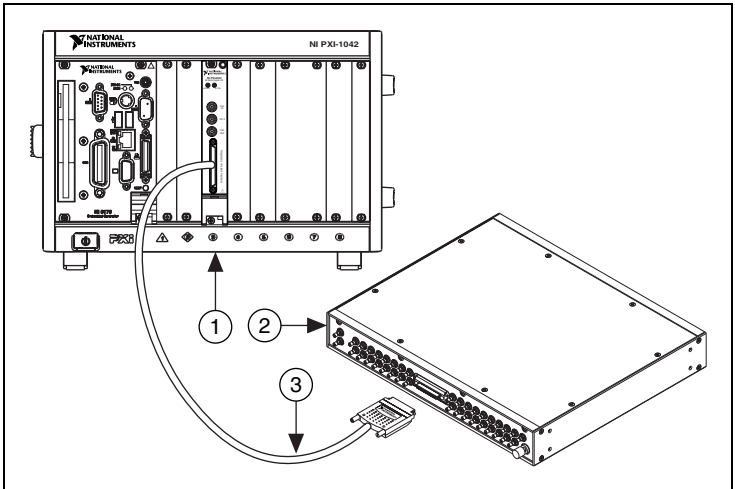
NI also offers the NI SMB-2163 breakout box for National Instruments single-ended digital waveform generator/analyzers. The NI SMB-2163 offers coaxial SMB connectors for each channel on the DDC connector, providing an easy way to connect to other devices for testing and debugging. For more information about using the NI SMB-2163, refer to the *NI SMB-2163 User Guide*.

Figures 4 and 5 show how to connect the NI digital waveform generator/analyzer and the NI CB-2162 and NI SMB-2163, respectively, using the NI SHC68-C68-D2 cable.



- | | |
|---|------------------------|
| 1 PXI Chassis with NI Digital Waveform Generator/Analyzer | 2 SHC68-C68-D2 Cable |
| | 3 NI CB-2162 Accessory |

Figure 4. Connecting the NI CB-2162 Accessory



- | | |
|---|-------------------------|
| 1 PXI Chassis with NI Digital Waveform Generator/Analyzer | 2 NI SMB-2163 Accessory |
| | 3 SHC68-C68-D2 Cable |

Figure 5. Connecting the NI SMB-2163 Accessory



Note If you are creating your own accessory to use with your device, you can purchase the mating connector for the VHDCI cable from NI (part number 778914-01).

Whether you use NI cables and accessories or design your own, you should properly terminate cables to avoid improper measurements due to signal reflections, overshoot, and undershoot. Refer to the *NI Digital Waveform Generator/Analyzer Help* for more information about signal termination.

Wiring for Common Measurements

Dynamic generation and dynamic acquisition are two categories of applications that you can create for NI digital waveform generator/analyzers. This section provides information on the general wiring considerations for each type of application. Both examples use the NI CB-2162 for signal termination.

Dynamic Generation

When performing dynamic generation, an NI digital waveform generator/analyser generates data through a matched impedance system that consists of a $50\ \Omega$ output impedance, a $50\ \Omega$ cable, and a $50\ \Omega$ accessory. Figure 6 shows a diagram of such a system, using the NI 655X as an example. Depending on the loading of the peripheral device, you may need additional parallel termination resistance at the destination for optimal signal quality. Refer to the *NI Digital Waveform Generator/Analyzer Help* for more information about signal termination.

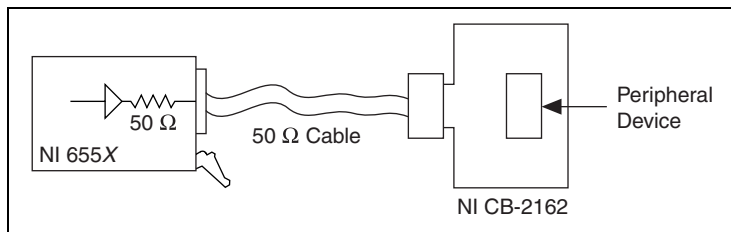


Figure 6. Dynamic Generation Functional Diagram

Dynamic Acquisition

When performing dynamic acquisition with the NI 655X/654X, the source generating the signals needs a matched source impedance as close to $50\ \Omega$ as possible to minimize signal reflections and maintain optimal signal quality. Figure 7 shows a diagram of a dynamic acquisition system using the NI 655X as an example.



Note NI-HSDIO allows you to set the NI 655X input impedance to $10\ \text{k}\Omega$ or $50\ \Omega$, depending on your application. The NI 654X input impedance is fixed at $10\ \text{k}\Omega$. Refer to the *NI Digital Waveform Generator/Analyzer Help* for more information about signal termination.

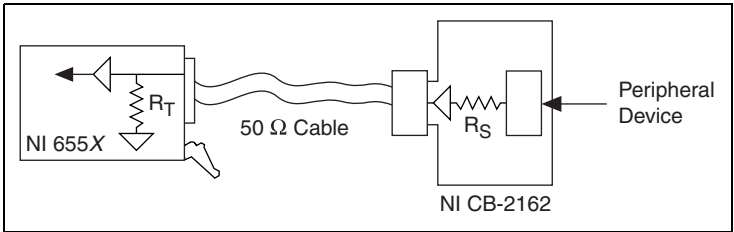


Figure 7. Dynamic Acquisition Functional Diagram

8. Programming the Digital Waveform Generator/Analyzer

You can generate or acquire digital data with the NI digital waveform generator/analyzer using NI-HSDIO. You also can run the NI-HSDIO examples to demonstrate the functionality of your device.

NI-HSDIO Instrument Driver

The NI-HSDIO API features a set of operations and attributes that exercise all the functionality of the device, including configuration, control, and other device-specific functions.

Information about programming with NI-HSDIO is available in the *NI Digital Waveform Generator/Analyzer Help*. This online document contains hardware information, concepts, a detailed function/VI reference for NI-HSDIO, and information specific to your device.

NI-HSDIO Examples

The NI-HSDIO examples demonstrate some of the functionality of the NI digital waveform generator/analyzers that you can use or integrate into your applications.

For the location of example programs that you can use as a basis for your first NI-HSDIO program, refer to **Programming»Getting Started with NI-HSDIO** in the *NI Digital Waveform Generator/Analyzer Help*.

Appendix A: Device Front Panels

The NI 655X/654X front panels contain four connectors—three SMB jacks (CLK IN, PFI 0, and CLK OUT) and one 68-pin VHDCI connector (DIGITAL DATA & CONTROL, or DDC).

Figure 8 shows the NI 6541 front panels and pinout, which are identical to those of the NI 6542. The DDC signals are described in Table 1. The SMB connectors are described in Table 3. The LEDs are described in Tables 4 and 5.

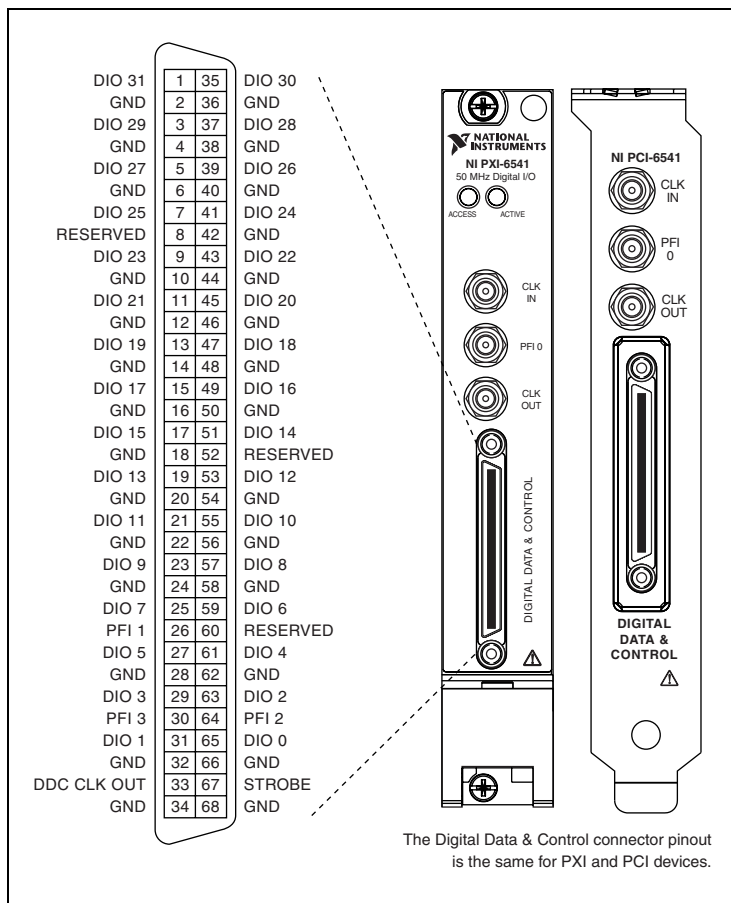


Figure 8. NI 654X Front Panel Connectors

Table 1. NI 654X DDC Connector Pins

Pins	Signal Name	Signal Type	Signal Description
33	DDC CLK OUT	Control	Output terminal for the exported Sample clock.
67	STROBE	Control	Terminal for the external Sample clock source which can be used for pattern acquisition.
1, 3, 5, 7, 9, 11, 13, 15, 17, 19, 21, 23, 25, 27, 29, 31, 35, 37, 39, 41, 43, 45, 47, 49, 51, 53, 55, 57, 59, 61, 63, 65	DIO <0..31>	Data	Bidirectional digital I/O data channels 0 through 31.
26, 30, 64	PFI <1..3>	Control	Input terminals to the NI 655X for external triggers, or output terminals from the NI 655X for events.
2, 4, 6, 10, 12, 14, 16, 18, 20, 22, 24, 28, 32, 34, 36, 38, 40, 42, 44, 46, 48, 50, 54, 56, 58, 62, 66	GND	Ground	Ground reference for signals.
8, 52, 60	RESERVED	N/A	These terminals are reserved for future use. Do not connect to these pins.

Figure 9 shows the NI 6551 front panels and pinout, which are identical to those of the NI 6552. The DDC signals are described in Table 2. The SMB connectors are described in Table 3. The LEDs are described in Tables 4 and 5.

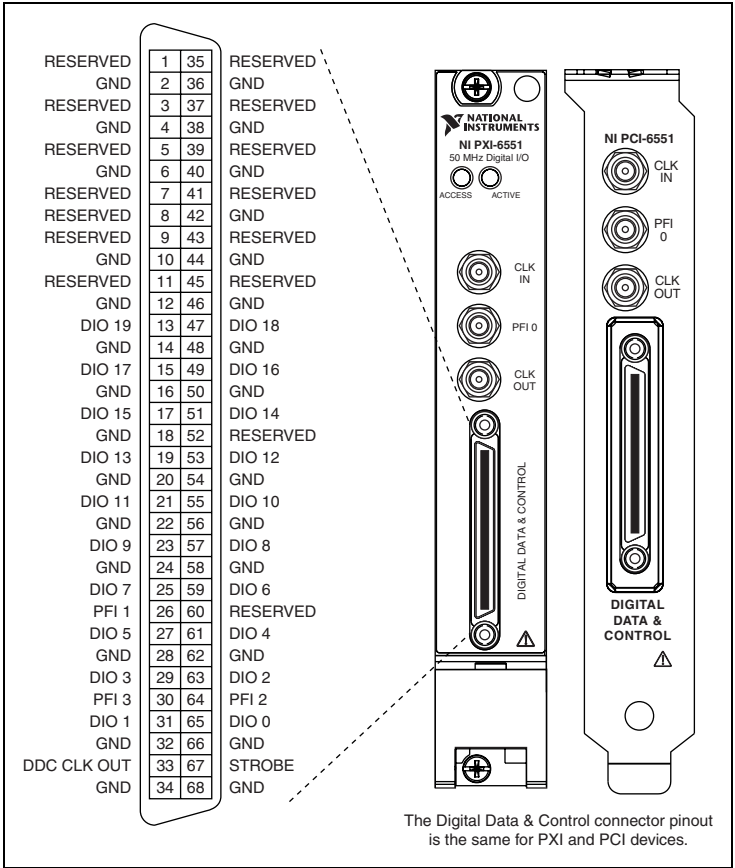


Figure 9. NI 655X Front Panel Connectors

Table 2. NI 655X DDC Connector Pins

Pins	Signal Name	Signal Type	Signal Description
33	DDC CLK OUT	Control	Output terminal for the exported Sample clock.
67	STROBE	Control	Terminal for the external Sample clock source which can be used for pattern acquisition.
13, 15, 17, 19, 21, 23, 25, 27, 29, 31, 47, 49, 51, 53, 55, 57, 59, 61, 63, 65	DIO <0..19>	Data	Bidirectional digital I/O data channels 0 through 19.
26, 30, 64	PFI <1..3>	Control	Input terminals to the NI 655X for external triggers, or output terminals from the NI 655X for events.
2, 4, 6, 10, 12, 14, 16, 18, 20, 22, 24, 28, 32, 34, 36, 38, 40, 42, 44, 46, 48, 50, 54, 56, 58, 62, 66	GND	Ground	Ground reference for signals.
1, 3, 5, 7, 8, 9, 11, 35, 37, 39, 41, 43, 45, 52, 60	RESERVED	N/A	These terminals are reserved for future use. Do not connect to these pins.

Table 3. NI 654X/655X SMB Connectors

Connector	Signal Name	Signal Type	Description
CLK IN	Reference/ Clock Input	Control	Terminal for the external Reference clock used for the PLL or for the external Sample clock used for pattern generation and/or acquisition.
PFI 0	Programmable Function Interface (PFI) 0	Control	Input terminal to the device for external triggers, or output terminal from the device for events.
CLK OUT	Reference/ Clock Output	Control	Terminal for the exported PLL Reference clock or the exported Sample clock.

Tables 4 and 5 describe the different conditions indicated by the two NI PXI LEDs.

Table 4. ACTIVE LED Indicators

Color	Indications
Off	Device not armed, not triggered, or experiencing an error.
Amber	Device armed and awaiting Start trigger. If performing a dynamic acquisition operation, the device may be acquiring pretrigger samples.
Green	Device received Start trigger.
Red	Error condition.

Table 5. ACCESS LED Indicators

Color	Indications
Off	Device not ready.
Amber	Device being accessed by software.
Green	Device ready to be programmed.
Red	Running the niHSDIO Self Test VI or calling niHSDIO_self_test produced a failure.

Appendix B: Troubleshooting

Device Front Panel ACCESS LED on PXI Module is Off When PXI Chassis is On

If the ACCESS LED is not lit after you power on the PXI chassis, a problem may exist with the PXI power rails, a hardware device, or the LED.



Note The LEDs may not light until the device has been configured in MAX. Before troubleshooting this issue, verify that the device appears in MAX.

Troubleshoot this issue by completing the following steps:

1. Power off your PXI chassis.
2. Disconnect any signals from the PXI module front panel.
3. Remove the PXI module and inspect for signs of damage. Do *not* reinstall a damaged device.
4. Reinstall the PXI module using the procedure described in step 5. *Installing the Hardware*.
5. Power on your PXI chassis.
6. Verify the device appears in MAX.
7. Reset the device in MAX and perform a self-test. Refer to step 6. *Configuring and Testing in MAX* for information on performing device resets and self-tests in MAX.
8. If the ACCESS LED still fails to light, contact NI support at ni.com/support.

Device Does Not Appear in MAX

Complete the following steps if the NI device does not appear in MAX:

1. In the MAX Configuration pane, click **Devices and Interfaces** to expand the category.
2. Click **NI-DAQmx Devices** and press <F5> to refresh the list of installed devices.
3. If the device is still not listed, power down the system, ensure the device is correctly installed, and restart.
4. If the device still does not appear under NI-DAQmx Devices, contact NI support at ni.com/support.

Device Failed the Self-Test

The MAX self-test performs a brief test of device resources. If the device does not pass the self-test, complete the following steps:

1. Reboot your system.
2. Launch MAX and perform the self-test again. If the device still fails the self-test, proceed to step 3.
3. Uninstall and reinstall NI-HSDIO.
4. If the device still fails the self-test, contact NI support at ni.com/support.

I Received a Thermal Shutdown Error

I received the `kErrorDeviceShutDownDueToHighTemp` error, and my device shut down. What should I do next?

To re-enable your device after thermal shutdown, complete the following steps:

1. Power down the computer or chassis that contains the device.
2. Review the procedure in step 5. *Installing the Hardware* and make any necessary adjustments to ensure that your device is effectively cooled.
3. Call `niHSDIO_ResetDevice` (NI-HSDIO Reset Device VI) or perform a device reset in MAX. The thermal shutdown error continues to be reported until the device has been successfully reset.

Technical Support Resources

NI Web Support

National Instruments Web support is your first stop for help in solving installation, configuration, and application problems and questions. Online problem-solving and diagnostic resources include frequently asked questions, knowledge bases, product-specific troubleshooting wizards, manuals, drivers, software updates, and more. Web support is available through the Technical Support section of ni.com.

A Declaration of Conformity (DoC) is our claim of compliance with the Council of the European Communities using the manufacturer's declaration of conformity. This system affords the user protection for electronic compatibility (EMC) and product safety. You can obtain the DoC for your product by visiting ni.com/certification. If your product supports calibration, you can obtain the calibration certificate for your product at ni.com/certification.

Worldwide Support

National Instruments corporate headquarters is located at 11500 North Mopac Expressway, Austin, Texas, 78759-3504.

National Instruments also has offices located around the world to help address your support needs. You can access our branch office Web sites from the Worldwide Offices section of ni.com. Branch office Web sites provide up-to-date contact information, support phone numbers, email addresses, and current events.

If you have searched the technical support resources on our Web site and still cannot find the answers you need, contact your local office or National Instruments corporate. For telephone support in the United States, dial 512 795 8248. For telephone support outside the United States, contact your local branch office:

Australia 1800 300 800, Austria 43 0 662 45 79 90 0,
Belgium 32 0 2 757 00 20, Brazil 55 11 3262 3599,
Canada (Calgary) 403 274 9391, Canada (Ottawa) 613 233 5949,
Canada (Québec) 450 510 3055, Canada (Toronto) 905 785 0085,
Canada (Vancouver) 604 685 7530, China 86 21 6555 7838,
Czech Republic 420 224 235 774, Denmark 45 45 76 26 00,
Finland 385 0 9 725 725 11, France 33 0 1 48 14 24 24,
Germany 49 0 89 741 31 30, India 91 80 51190000, Israel 972 0 3 6393737,
Italy 39 02 413091, Japan 81 3 5472 2970, Korea 82 02 3451 3400,
Malaysia 603 9131 0918, Mexico 01 800 010 0793,
Netherlands 31 0 348 433 466, New Zealand 0800 553 322,
Norway 47 0 66 90 76 60, Poland 48 22 3390150,
Portugal 351 210 311 210, Russia 7 095 783 68 51,
Singapore 65 6226 5886, Slovenia 386 3 425 4200,
South Africa 27 0 11 805 8197, Spain 34 91 640 0085,
Sweden 46 0 8 587 895 00, Switzerland 41 56 200 51 51,
Taiwan 886 2 2528 7227, Thailand 662 992 7519,
United Kingdom 44 0 1635 523545

CVI™, LabVIEW™, National Instruments™, NI™, ni.com™, NI-DAQ™, and SCXI™ are trademarks of National Instruments Corporation. Product and company names mentioned herein are trademarks or trade names of their respective companies. For patents covering National Instruments products, refer to the appropriate location: **Help»Patents** in your software, the `patents.txt` file on your CD, or `ni.com/patents`.

© 2003–2004 National Instruments Corp. All rights reserved.